

# ÜBERSICHTSZEICHNUNG ASSEMBLY DRAWING

**GHOST**



## E-SQUARE TRAVEL (MY21)

Datum: 21-01-2021

Version: 01



E-SQUARE TRAVEL (MY21)

date: 21-01-2021

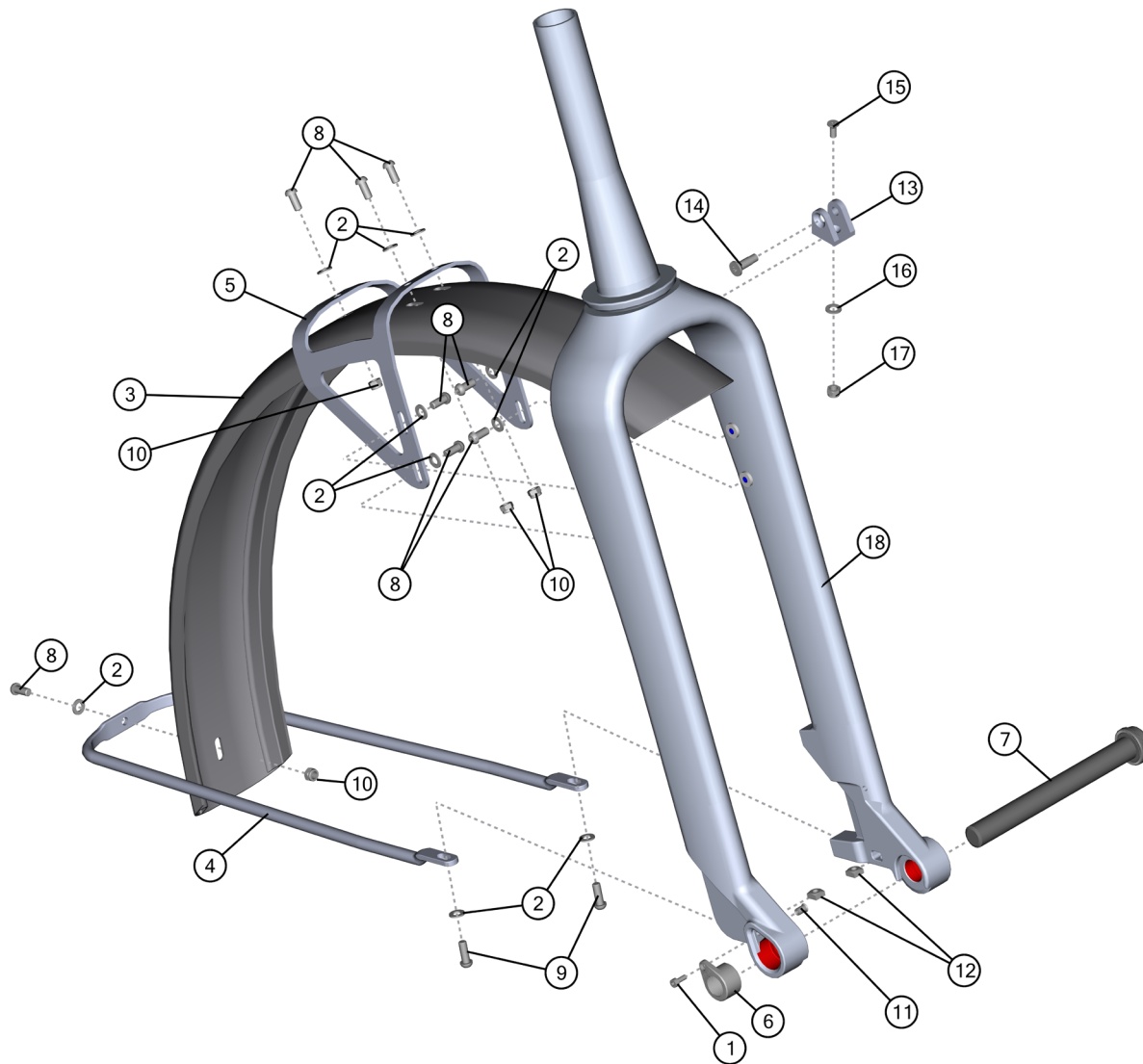
version: 01

page 1 / 10

# ÜBERSICHTSZEICHNUNG

## ASSEMBLY DRAWING fork

# GHOST



**Hinweis:** Bei den Schrauben muss mittelfeste Gewindesicherung verwendet werden.  
Rote Flächen müssen gefettet werden.

**Note:** use medium strength screw lock for screw threads.  
red surfaces has to be greased.

# ÜBERSICHTSZEICHNUNG

## ASSEMBLY DRAWING fork

# GHOST

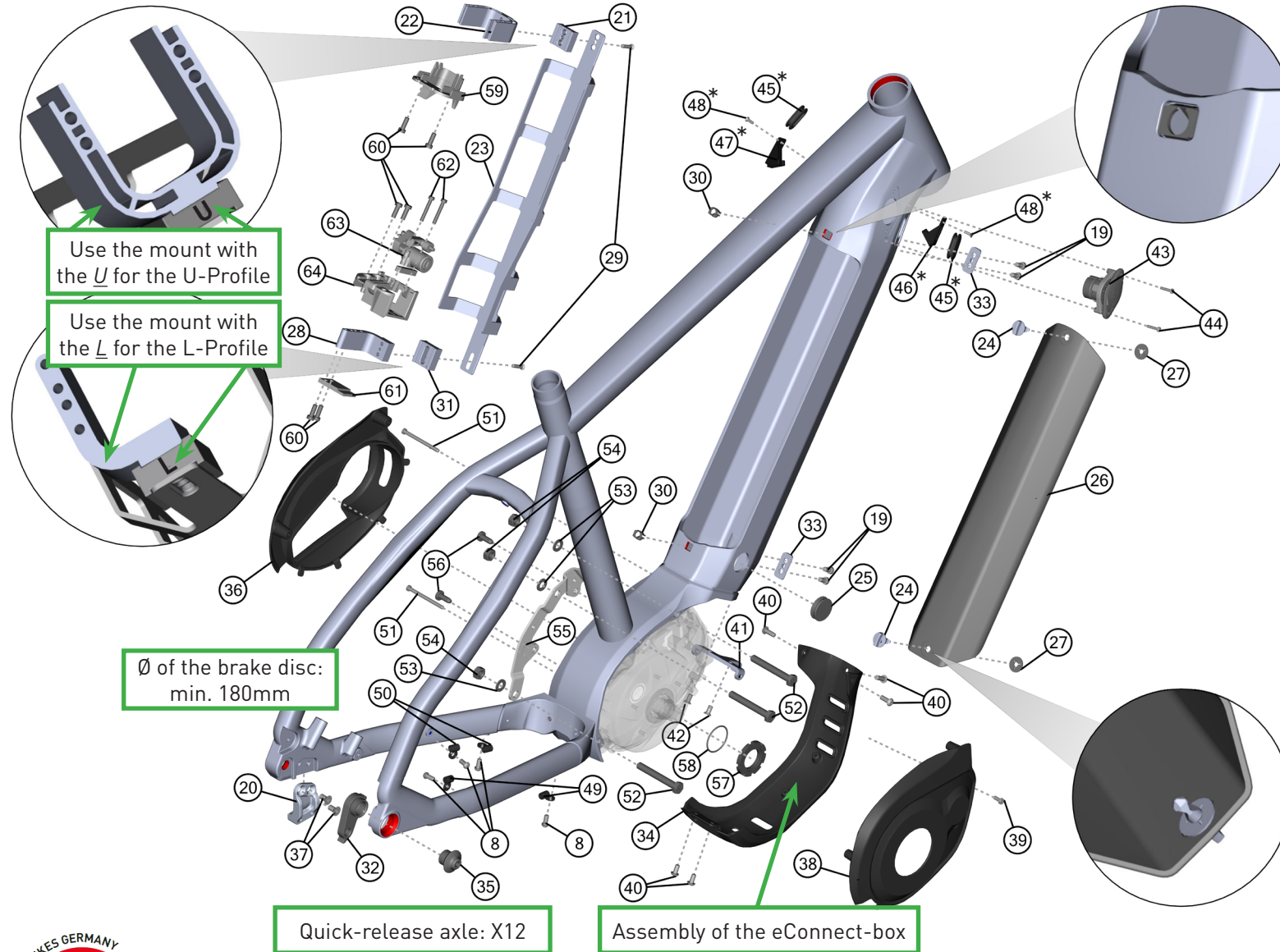
BOM-ID	Description	Specification	Torque	Item no.	QTY
1	Hexagon socket screw	TX10 - M3 x 8 mm	1 Nm	FRSC0074	1
2	Washer	ø 5,3 mm		FRWS0039	10
3	Front fender			FEF0021	1
4	Lower connection part rigid fork & fender			SMF0021	1
5	Upper connection part rigid fork & fender			SMF0020	1
6	Inlay			FRNT0002	1
7	Thru axle	Ø 15 x 110 mm	10 Nm	WAX0018	1
8	Lens head screw	TX25 - M5 x 12 mm	5 Nm	SM0919	8
9	Lens head screw	TX25 - M5 x 14 mm	5 Nm	FRSC0065	2
10	Hexagon nut with flange	M5		SM1718	4
11	Sleeve nut	M3 x 7 mm		FRNT0009	1
12	Square nut	M5	5 Nm	FROT0101	2
13	Front light holder			FROT0104	1
14	Screw for front light	M5 x 14	5 Nm	FROT0105	1
15	Counter sunk screw	TX20 - M4 x 12 mm	3 Nm	SM1494	1
16	Washer	ø 4,3 mm		SM1091	1
17	Self locking nut	M4		FROT0110	1
18	Fork			FO1844	1

# ÜBERSICHTSZEICHNUNG

ASSEMBLY DRAWING

main frame

# GHOST



**Hinweis:** Bei den Schrauben muss mittelfeste Gewindegewissicherung verwendet werden. Rote Flächen müssen gefettet werden.

**Note:** use medium strength screw lock for screw threads. red surfaces has to be greased.



# ÜBERSICHTSZEICHNUNG

## ASSEMBLY DRAWING main frame

# GHOST

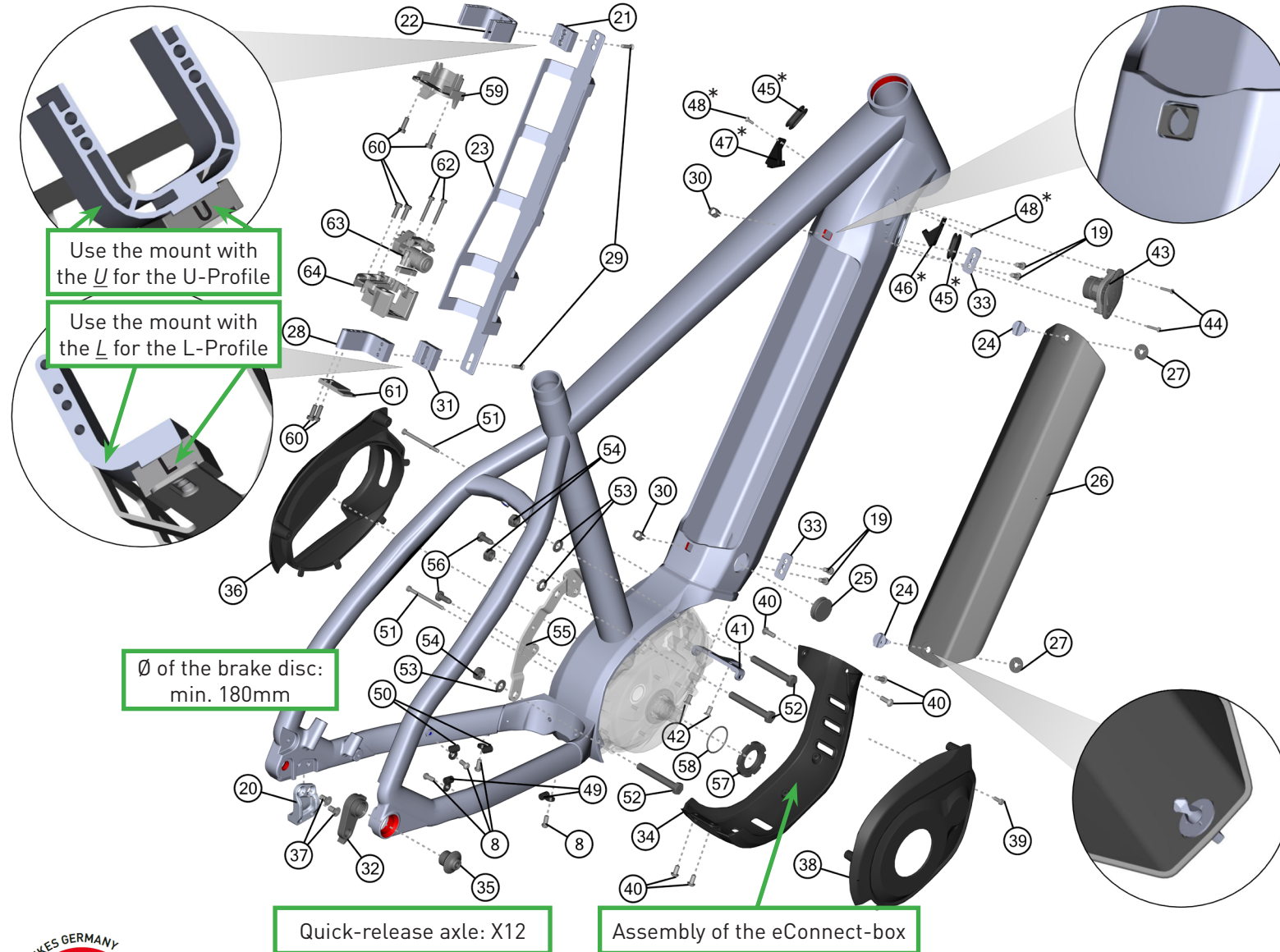
BOM-ID	Description	Specification	Torque	Item no.	QTY
8	Lens head screw	TX25 - M5 x 12 mm	5 Nm	SM0919	4
19	Hexagon socket screw (flat head)	IS3 - M 5 x 25 mm	5 Nm	SM1727	4
20	Kickstand Adaptor			SMKS0001	1
21	Cable mount			FROT0051	1
22	Mounting Kit Cable (U-Form)			FROT0209	1
23	Cable mount plate			FROT0053	1
24	Locking pin with handle			FROT0048	2
25	Rubber ring			FROT0050	1
26	Battery cover			FROT0055	1
27	Holderplate			FROT0047	2
28	Mounting Kit Lock (L-Form)			FROT0182	1
29	Counter sunk screw	T10 - M4 x 18 mm	3 Nm	FRSC0063	2
30	Clip			FROT0046	2
31	Lock mount			FROT0052	1
32	Hanger			FRHG0025	1
33	Plate for fixing			FROT0102	2
34	Motor cover low			FROT0093	1
35	Hanger nut		20 Nm	FRNT0008	1
36	Motor cover left side			FROT0092	1
37	Counter sunk screw	T30 - M6 x 13 mm	10 Nm	SMSC0006	2
38	Motor cover right side			FROT0091	1
39	Screw (thread forming tap)	TX20 - M4 x 12 mm	3 Nm	FRSC0073	1
40	Lens head screw	IS3 - M5 x 8 mm	5 Nm	SM1188	5
41	Cover mount lower side			FROT0094	1
42	Counter sunk screw	IS3 - M5 x 10 mm	5 Nm	FRSC0068	2
43	Charge socket			FROT0097	1

# ÜBERSICHTSZEICHNUNG

ASSEMBLY DRAWING

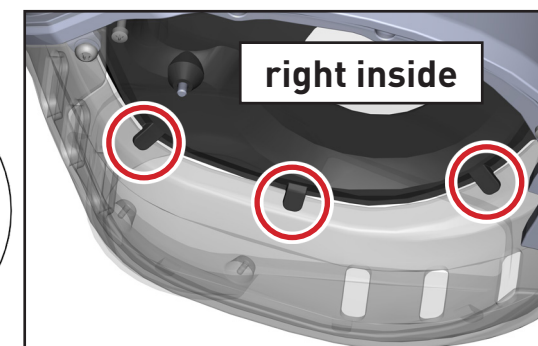
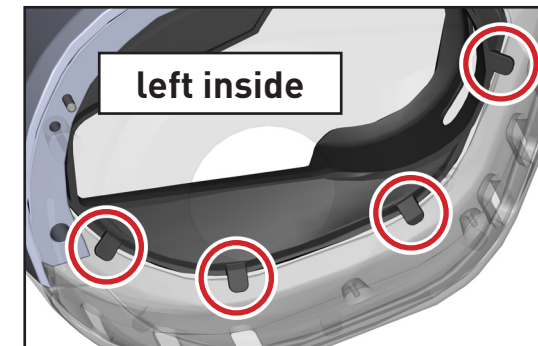
main frame

# GHOST



**Hinweis:** Bei den Schrauben muss mittelfeste Gewindegewissicherung verwendet werden. Rote Flächen müssen gefettet werden.

**Note:** use medium strength screw lock for screw threads. red surfaces has to be greased.



E-SQUARE TRAVEL (MY21)

date: 21-01-2021

version: 01

page 6 / 10

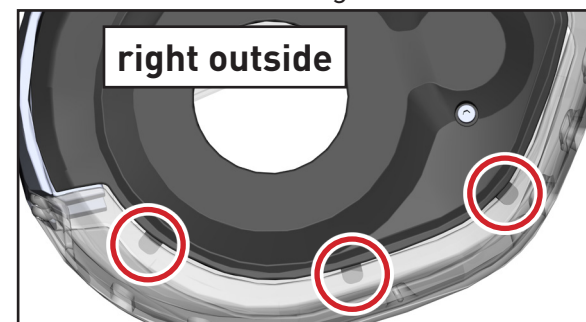
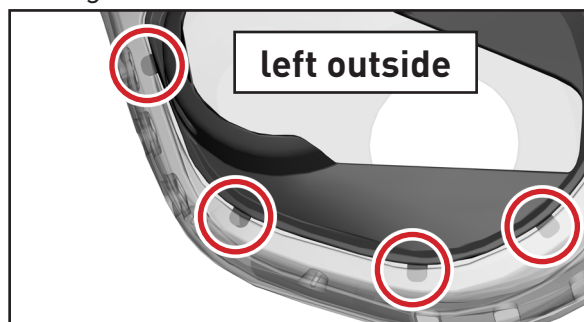
# ÜBERSICHTSZEICHNUNG

## ASSEMBLY DRAWING main frame

# GHOST

BOM-ID	Description	Specification	Torque	Item no.	QTY
44	Lens head screw	TX10 - M3 x 16 mm	1 Nm	FRSC0071	2
45*	Cable Routing Rubber, <b>Framesize S &amp; M</b>			FROT0054	2
46*	Cable inlets right side, <b>Framesize L &amp; XL</b>			FROT0169	2
47*	Cable inlets left side, <b>Framesize L &amp; XL</b>			FROT0170	2
48*	Counter sunk screw <b>Framesize L &amp; XL</b>	TX10 - M3 x 8 mm	1 Nm	FRSC0072	2
49	Cable guide for 1 cable			SM0002	2
50	Cable guide for 2 cable			SM0263	2
51	Screw (thread forming tap)	M4 x 53,5 mm	3 Nm	FRSC0069	2
52	Screw	M8 x 60	28 - 30 Nm	FRSC0095	3
53	Washer			FRWS0040	3
54	Nut	M8		FRNT0010	3
55	Mounting Plate			FROT0177	1
56	Screw	M6 x 16	9 - 11 Nm	FRSC0096	2
57	Lockring for BDU3XX			FROT0178	1
58	O-Ring			FROT0179	1
59	Kit Cradle, Damper Plate			FROT0164	1
60	Screw	M5 x 14	5 Nm	FRSC0091	6
61	Support Plate			FROT0163	1
62	Lock Screw	M4 x 27	4 Nm	FRSC0092	2
63	Abus Battery Lock			EL0243	1
64	Locking Assembly			EL0282	1

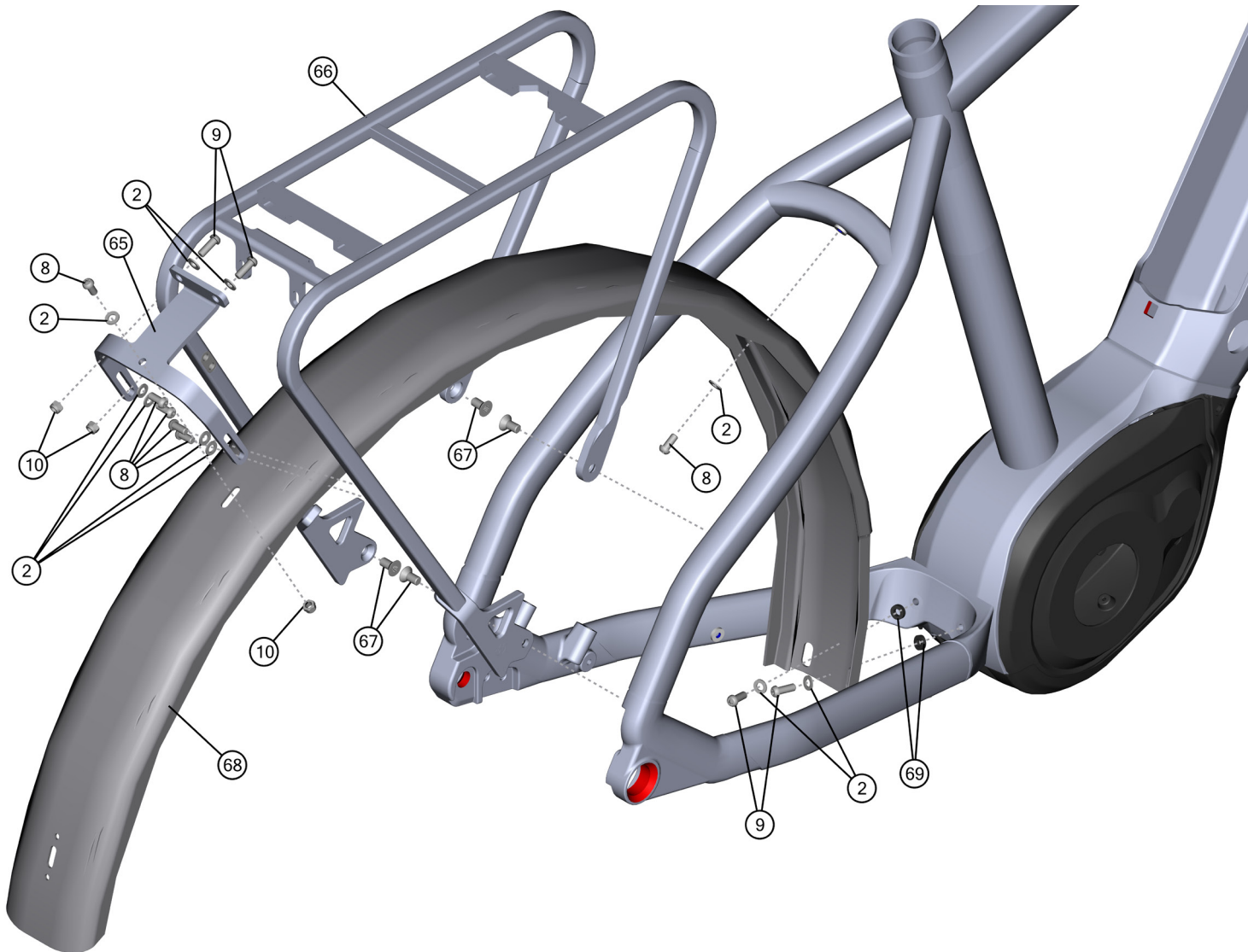
➤ The noses of the Motor cover right side (FROT0091) and Motor cover left side (FROT0092) must be hung low on the inside of the Motor cover low (FROT0093)!



# ÜBERSICHTSZEICHNUNG

ASSEMBLY DRAWING fender & carrier

# GHOST



**Hinweis:** Bei den Schrauben muss mittelfeste Gewindesicherung verwendet werden. Rote Flächen müssen gefettet werden.

**Note:** use medium strength screw lock for screw threads. red surfaces has to be greased.



# ÜBERSICHTSZEICHNUNG

## ASSEMBLY DRAWING fender & carrier

**GHOST**

BOM-ID	Description	Specification	Torque	Item no.	QTY
2	Washer	ø 5,3 mm		FRWS0039	10
8	Lens head screw	TX25 - M5 x 12 mm	5 Nm	SM0919	6
9	Lens head screw	TX25 - M5 x 14 mm	5 Nm	FRSC0065	4
10	Hexagon nut with flange	M5		SM1718	3
65	Carrier fender connection			SMF0022	1
66	Carrier			CA0016	1
67	Counter sunk screw	TX30 - M6 x 12 mm	10 Nm	FRSC0064	4
68	Rear fender			FER0026	1
69	Plastic spacer	ø 5,2 x 10 x 3 mm		SM1142	2

# ÜBERSICHTSZEICHNUNG

## ASSEMBLY DRAWING

# GHOST

FACT SHEET:	
SHOCK LENGTH:	-----
SHOCK HARDWARE TOP:	-----
SHOCK HARDWARE BOTTOM:	-----
HEADSET TOP:	ZS 44
HEADSET BOTTOM:	ZS 56
SEATPOST DIAMETER:	31,6 MM
CLAMP INNER DIAMETER:	34,9 MM
BOTTOM BRACKET:	-----
KICKSTAND:	KSA18 (Adapter required)
ISCG STANDARD:	-----
CARRIER MOUNT:	YES (Adapter required)
FENDER COMPATIBLE:	YES

DROPPER SEATPOST READY:	YES
WATTERBOTTLE MOUNT:	1x
MAXIMUM PERMISSIBLE TOTAL WEIGHT:	150 KG
MAXIMUM TIRE SIZE:	
WHEEL SIZE:	27,5"
QUICK RELEASE LENGTH:	169 MM
OVER-LOCKNUT DIMENSION (O.L.D.):	148 MM
FD CLAMP SIZE:	-----
FD TYPE:	-----
ENGINE:	BOSCH PERFORMANCE
BATTERY:	BOSCH 500 WH
DISPLAY:	BOSCH PURION